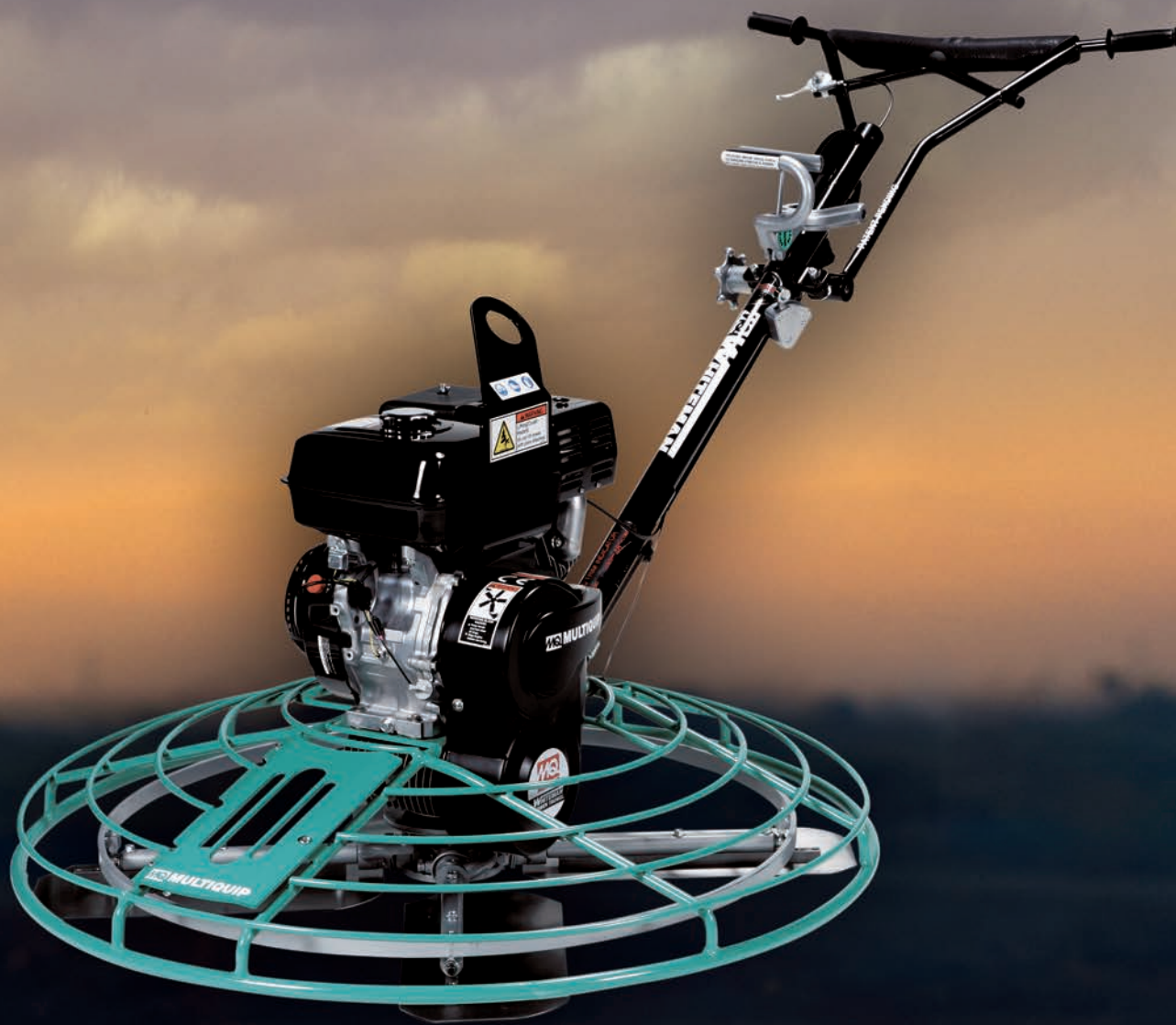


POWER TROWELS



**MQ WHITEMAN**

The world's number one selling  
trowels for over 75 years.



YOU BE THE JUDGE. Power trowels are measured by their performance, and by that standard, **MQ Whiteman** is the undisputed leader. Year after year, our power trowels continue to be the number one choice of the concrete industry. With over 75 years of engineering experience, no other manufacturer can match our quality, reliability or performance.

**B-Series**

46" (1170mm) Width

**The Classic.**

High horsepower engines and excellent rotor coverage have made this trowel the favorite of concrete contractors for generations.

B-Series models available:

**B46H90** (shown with QXH QuickPitch™ handle)

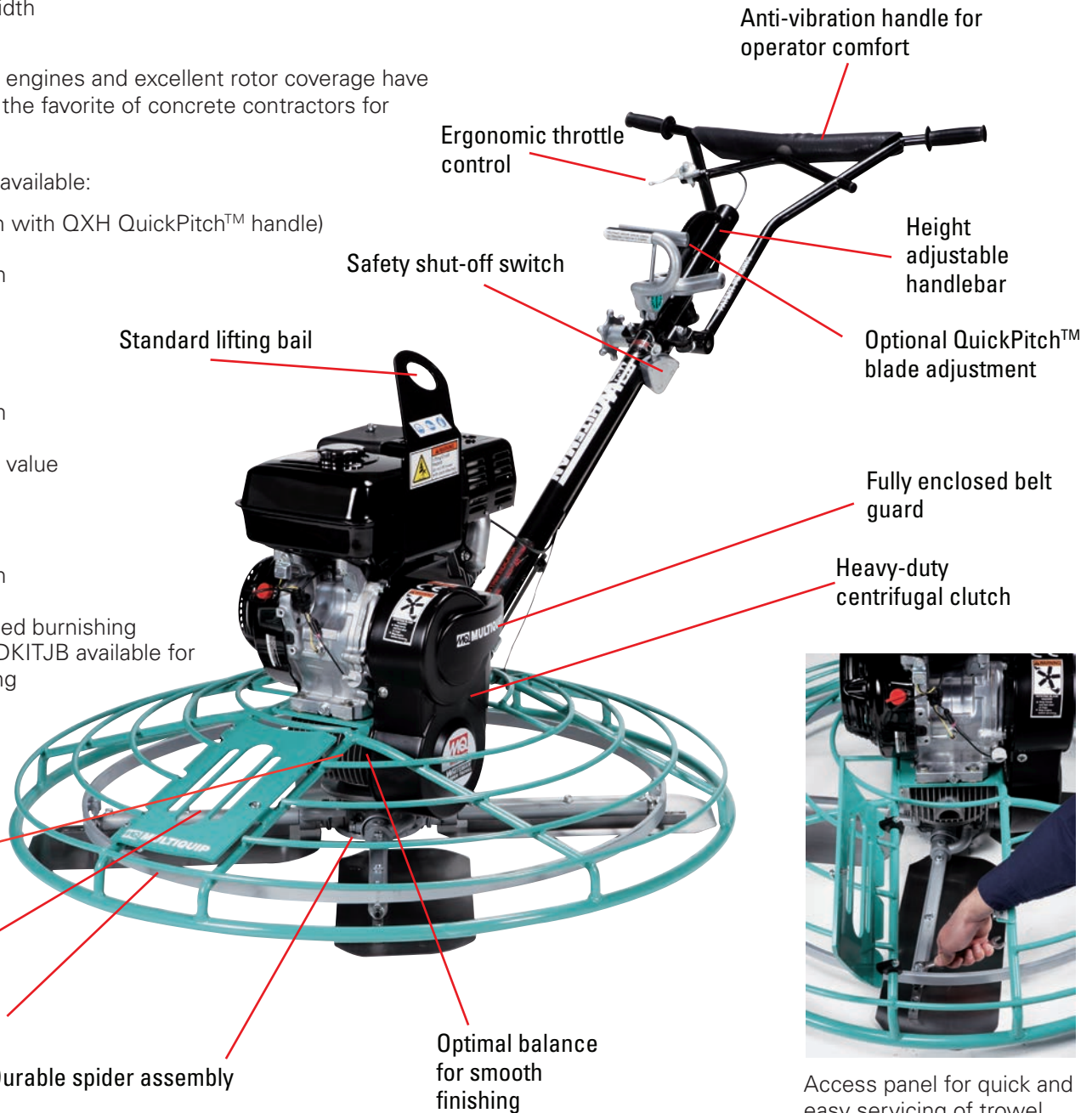
Honda GX270  
Centrifugal Clutch  
60-130 RPM

**B46S90**

Subaru EX 27,  
Centrifugal Clutch  
60-130 RPM  
Performance and value

**B46H11H**

Honda GX340  
Centrifugal Clutch  
90-155 RPM  
Ideal for high speed burnishing  
MQ# LOWSPEEDKITJB available for  
low speed panning

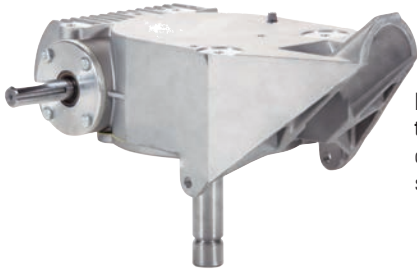


Access panel for quick and easy servicing of trowel arms and blades.



**Top quality components.** Concrete contractors demand reliable equipment to get the job done right. The MQ Whiteman gearbox uses a heat-treated worm gear and composite bronze gear to ensure that your machine isn't sidelined during a critical job.

Routine maintenance is simple and economical. Our spider assembly uses high-strength wear plates made of trowel steel to prevent wear on key components. Repairing your trowel shouldn't be costly so we make certain our replacement parts are priced right.



**MQ Whiteman Gearboxes are the Industry's Best** — heavy-duty design for years of trouble-free service.



**Upper Wear-Plate**  
Manufactured of trowel steel to prevent bearing wear.



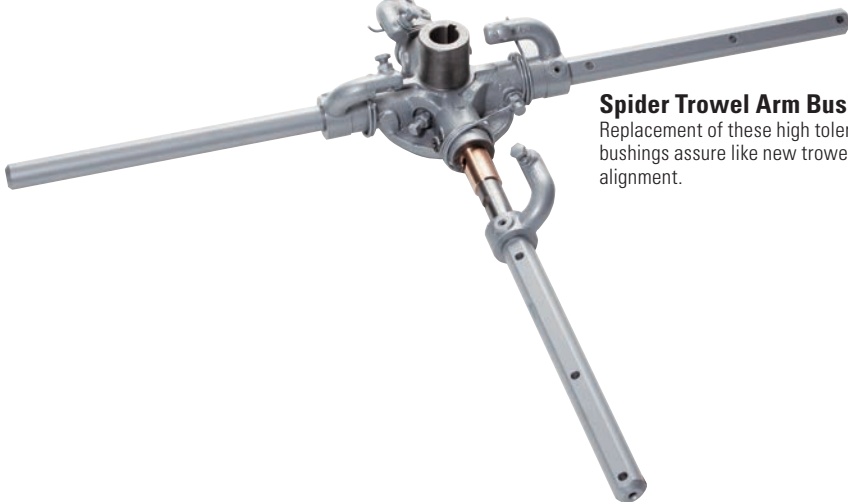
**Thrust Collar Assembly**  
Sealed Thrust Bearing for years of trouble-free service.



**Bronze Bushing**  
Eliminates wear on the thrust collar and spider, providing tighter running tolerance.



**Lower Wear-Plate**  
Prevents wear on thrust collar surface



**Spider Trowel Arm Bushings**  
Replacement of these high tolerance bushings assure like new trowel arm alignment.

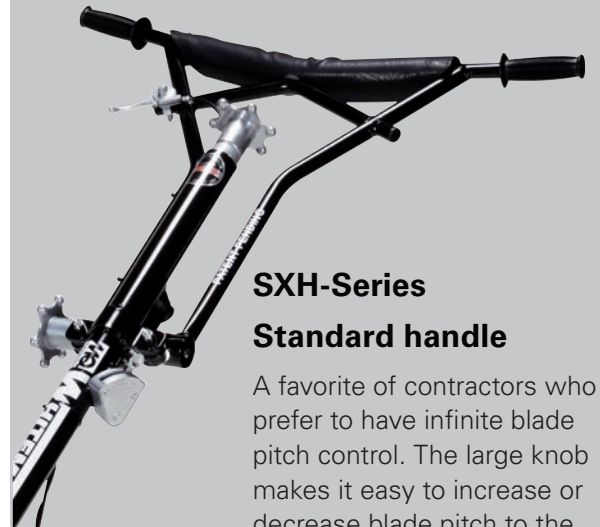
**Get a grip on the best.** Our new anti-vibration handle design dramatically reduces the vibration transmitted to the operator. These height-adjustable handles will increase operator comfort and decrease fatigue over an eight-hour day. This feature is standard on both the QuickPitch™ and Standard knob handle.

*Unless otherwise specified, handles are sold separately.*



**QXH-Series QuickPitch™ handle**

A patented spring-loaded design enables the operator to react rapidly to changing concrete conditions. Blade pitch is increased or decreased in 1/8" increments by moving the latching lever back and forth.



**SXH-Series Standard handle**

A favorite of contractors who prefer to have infinite blade pitch control. The large knob makes it easy to increase or decrease blade pitch to the desired angle.



Power trowels for use in confined or enclosed areas.



Also available with QPHAFC Folding QuickPitch™ handle

### C-Series

24" (610 mm) Width

#### Rotating Guard Ring

The C-Series trowel features a rotating guard ring to reduce manual labor while edging. It enables the operator to finish within 3/16" of obstructions. The high capacity gearbox delivers big machine performance in a small package.

C-Series models available:

#### CA4HC (shown with STHAC handle)

Honda GX120

70-130 RPM

Centrifugal Clutch

#### CA4HM

Honda GX120

Easy operating Manual Clutch

70-130 RPM

Includes folding QuickPitch™ handle



Image shows rotating guard ring feature in use.

### J36E2

36" (914 mm) Width

115/230V 60Hz Motor

Adjustable Variable Speed Clutch

30-160 RPM

Includes Standard Pitch Electric handle

(QuickPitch™ handle not available)



**The J36E2** is capable of meeting all your finishing requirements from pan floating to high-speed finishing. Powered by a 2.0 HP electric motor it is ideal for enclosed areas such as laboratories, food processing plants and areas where exhaust fumes or noise are restricted.



C-SERIES

ELECTRIC

**J-Series**

36" (914 mm) Width

The **J-Series** incorporates amazing balance, improved serviceability, and your choice of a Standard or QuickPitch™ handle, providing contractors with the ideal machine for residential and general construction work.

J-Series models available:

**J36H55** (Shown w/Optional SXH Standard handle)

Honda GX160  
Centrifugal Clutch  
60-115 RPM

**J36S60**

Subaru EX 17  
Centrifugal Clutch  
60-115 RPM  
Combining performance and value

**J36H90H**

Honda GX270  
Centrifugal Clutch  
90-155 RPM  
Ideal for high speed burnishing  
MQ# LOWSPEEDKITJB available  
for low speed panning



Trowel handles sold separately  
unless otherwise noted.



The **HD48** is designed for jobs that require a heavy trowel with high speed burnishing capabilities – up to 225 RPM

HD-SERIES

**HD-Series**  
48" (1219 mm) Width  
**Maximum Performance**

The HD-Series is an extra-rugged, heavy-duty power trowel designed and built for those tough jobs. Incorporating our HD gearbox and a specially tuned CVT drive system this trowel provides superior performance.

**HDA48413H**  
(Shown QXHD QuickPitch™ handle)  
Honda GX390  
CVT (Constantly Variable Transmission)  
35-225 RPM



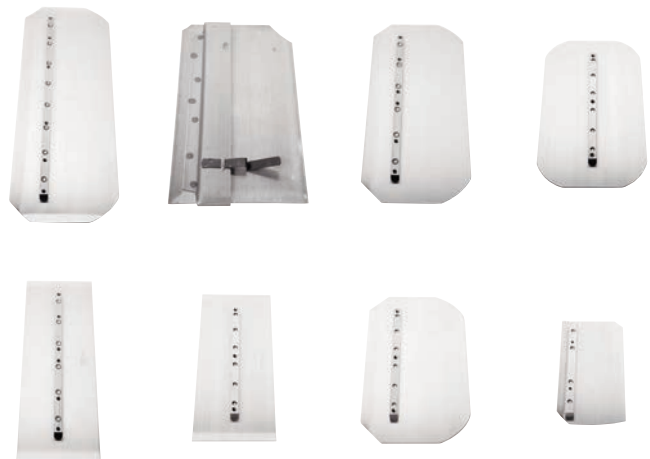
BLADES AND PANS

**MQ Whiteman** blades are made of heat-treated trowel steel, formulated to our specifications for maximum wear resistance and long life. Our blades are manufactured with additional rivets for greater uniformity and torsional strength. This increases machine stability and produces a smoother, flatter finish.

Enduro Blades use heavier gauge steel to achieve up to 50% longer life than conventional trowel blades. They are ideal for heavier walk-behind trowels and ride-on trowels. Quick Change Blades offer a simple, fast alternative to bolt-on blades. A reuseable mounting bar and channel mount blade system allows replacement of blades in minutes without the use of tools.

Some brands of trowel blades on the market today may resemble the **MQ Whiteman** blade, but none comes close in quality, attention to detail and overall value.

Stay with the leader by using genuine **MQ Whiteman** pans and trowel blades.



# Trowel Blades and Pans



BLADES AND PANS

Model	Blades for 24" Diameter Rotors (.075 steel thickness)		
C244	Combo Blade 5" x 9.25"	x	
<b>Blades for 30" Diameter Rotors (Finish .062"; Combo .075" steel thickness)</b>			
F300	Finish Blade 6" x 10.5"	x	
C334	Combo Blade 8" x 10.5"	x	
<b>Blades for 36" Diameter Rotors (Finish .062"; Combo .075" steel thickness)</b>			
C844	Combo Blade 8" x 14"	x	
C844R	Combo Blade 8" x 14"		x
CL954F	Float Blade 10" x 14"	x	x
F900	Finish Blade 6" x 14"	x	
<b>Quick Change Blades for 36" Diameter Rotors (Finish .062"; Combo .075" steel thickness)</b>			
QB1857	Blade Mounting Bar, One (1) required per trowel arm	x	x
QC1871	Combo Blade 8" x 14"	x	
QF1872	Finish Blade 6" x 14"	x	
QS1869	Snap Pin, Two (2) required per trowel arm	x	x
<b>Enduro Blades for 36" Diameter Rotors (Finish .092"; Combo .092" steel)</b>			
C10844	Combo Blade 8" x 14"		x
F10900	Finish Blade 6" x 14"		x
<b>Enduro-Quick Change Blades for 36" Diameter Rotors (Finish .092"; Combo .092" steel thickness)</b>			
QC10871	Combo Blade 6" x 14"		x
QF10872	Finish Blade 8" x 14"		x
<b>Blades for 46/48" Diameter Rotors (Finish .062"; Combo .075"; Float 12 G/.105" steel thickness)</b>			
C464	Combo Blade 8" x 18"	x	
C464R	Combo Blade 8" x 18"		x
CL444F	Float Blade 10" x 18"	x	x
F400	Finish Blade 6" x 18"	x	
<b>Quick Change Blades for 46/48" Diameter Rotors (Finish .062"; Combo .075" steel thickness)</b>			
QB1856	Blade Mounting Bar, One (1) required per trowel arm	x	x
QC1873	Combo Blade 8" x 18"	x	
QF1874	Finish Blade 6" x 18"	x	
QS1869	Snap Pin, Two (2) required per trowel arm	x	x
<b>Enduro Blades for 46/48" Diameter Rotors (Finish .092"; Combo .092" steel thickness)</b>			
C10464	Combo Blade 8" x 18"		x
F10400	Finish Blade 6" x 18"		x
RC818	Reversible Combo Blade 8" x 18"		x
<b>Enduro-Quick Change Blades for 46/48" Diameter Rotors (Finish .092"; Combo .092" steel thickness)</b>			
QC10873	Combo Blade 8" x 18"		x
QF10874	Finish Blade 6" x 18"		x
<b>Blades for 48" Diameter 6-Blade Rotors (Finish .075"; Combo .075" steel thickness)</b>			
F616	Finish Blade 6" x 16"		x
C8160	Reversible Combo Blade 8.125" x 16"		x
<b>Enduro Blades for 48" Diameter 6-Blade Rotors (Finish .092"; Combo .092" steel thickness)</b>			
F10616	Finish Blade 6" x 16", 48"		x
C10816	Combo Blade 8.125" x 16"		x
RC816	Reversible Combo Blade 8.125" x 16"		x
<b>Enduro Blades for 60" Diameter Rotors (Finish .092"; Combo .092" steel thickness)</b>			
C11997	Combo Blade 8" x 23"		x
F11990	Finish Blade 6" x 23"		x
Model	Float Pan Description		
20646	Latch Pin for Float Pans	x	x
21550	24", 4-Blade Flat Pan	x	
2870	36", 4-Blade Flat Pan w/block	x	
2871	46", 4-Blade Flat Pan w/block	x	
11032	36", 4-Blade Superflat Pan		x
11017W	46", 4-Blade Superflat Pan		x
12271	46", 4-Blade Flat Pan	x	x
12272	46", 5-Blade Flat Pan		x
12272WZ	46", 5-Blade Flat Pan, Z Clip		x
12093W	46", 5-Blade Superflat Pan		x
12093WZ	46", 5-Blade Superflat Pan, Z Clip		x
32026W	46", 6-Blade Superflat Pan (HTXD6I only)		x
32608W	46", 6-Blade Superflat Pan (HTXG6DF only)		x
32690WZ	46", 6-Blade Flat Pan, Z Clip		x
32608WZ	46", 6-Blade Super Flat Pan, Z Clip All		x
11979	60", 6-Blade Superflat Pan		x
11979WZ	60", 6-Blade Superflat Pan, Z Clip		x



# Specifications

Model	HP (kw)*	Motor	Clutch	RPM	Operating Weight lb. (kg)	Shipping Weight lb. (kg)	Handle Options (see below)
<b>C-Series - 24-inch (610 mm) Rotating Guard Ring</b>							
CA4HM	3.5 (2.6)	Honda	Manual	70-130	155 (70)	145 (66)	Includes folding QuickPitch™ Handle
CA4HC	3.5 (2.6)	Honda	Centrifugal	70-130	155 (70)	145 (66)	STHAC; QPHAFC
<b>J-Series - 36-inch (914 mm) Guard Ring</b>							
J36E2	2 (1.5)	115/230V, 60 Hz Motor	Adjustable Variable Speed Clutch	30-160	166 (75)	191 (86)	Includes Standard Pitch Electric Handle
J36H55	4.8 (3.6)	Honda	Centrifugal	60-115	182 (82)	200 (91)	SXH; QXH; SXHP; QXHP
J36H90H	8 (6.0)	Honda	Centrifugal	90-155	207 (94)	225 (102)	
J36S60	5.7 (3.6)	Subaru EX17	Centrifugal	60-115	182 (82)	200 (91)	
<b>B-Series - 46-inch (1170 mm) Guard Ring</b>							
B46H90	8 (6.0)	Honda	Centrifugal	60-130	263 (119)	285 (129)	SXH; QXH; SXHP; QXHP
B46H11H	9.5 (7.1)	Honda	Centrifugal	90-155	263 (119)	285 (129)	
B46S90	9 (6.7)	Subaru EX27	Centrifugal	60-130	263 (119)	285 (129)	
<b>HD Series - 48-inch (1219 mm) Guard Ring</b>							
HDA48413H	11.1 (8.2)	Honda	Variable Speed Clutch	35-225	327 (148)	345 (156)	SXHD; QXHD; SXHDP; QXHDP

## Trowel Options

### Handles

- STHAC..... Standard knob style pitch control for CA4HC (centrifugal clutch) model
- QPHAFC..... Folding QuickPitch™ control for CA4HC (centrifugal clutch) model
- SXH ..... Standard knob style pitch control for J- and B-Series trowels
- SXHP ..... Standard knob style pitch control for J- and B-Series trowels (includes operator present switch option)
- QXH..... QuickPitch™ style control for J- and B-Series trowels
- QXHP ..... QuickPitch™ style control for J- and B-Series trowels (includes operator present switch option)
- SXHD ..... Standard knob style pitch control for HD-Series trowels with 2-inch diameter handle mount
- SXHDP..... Standard knob style pitch control for HD-Series trowels with 2-inch diameter handle mount (includes operator present switch option)
- QXHD ..... QuickPitch™ style control for HD-Series trowels with 2-inch diameter handle mount
- QXHDP..... QuickPitch™ style control for HD-Series trowels with 2-inch diameter handle mount (includes operator present switch option)
  
- LOWSPEEDKITJB..... Low Speed Panning Kit 60-130RPM for J- and B-Series trowels

Trowel handles sold separately unless otherwise noted. All models factory equipped with combination blades.

\* Engine power ratings are calculated by the individual engine manufacturer and the rating method may vary among engine manufacturers. Multiquip Inc. and its subsidiary companies makes no claim, representation or warranty as to the power rating of the engine on this equipment and disclaims any responsibility or liability of any kind whatsoever with respect to the accuracy of the engine power rating. Users are advised to consult the engine manufacturer's owners manual and its website for specific information regarding the engine power rating.

Your Multiquip dealer is:

